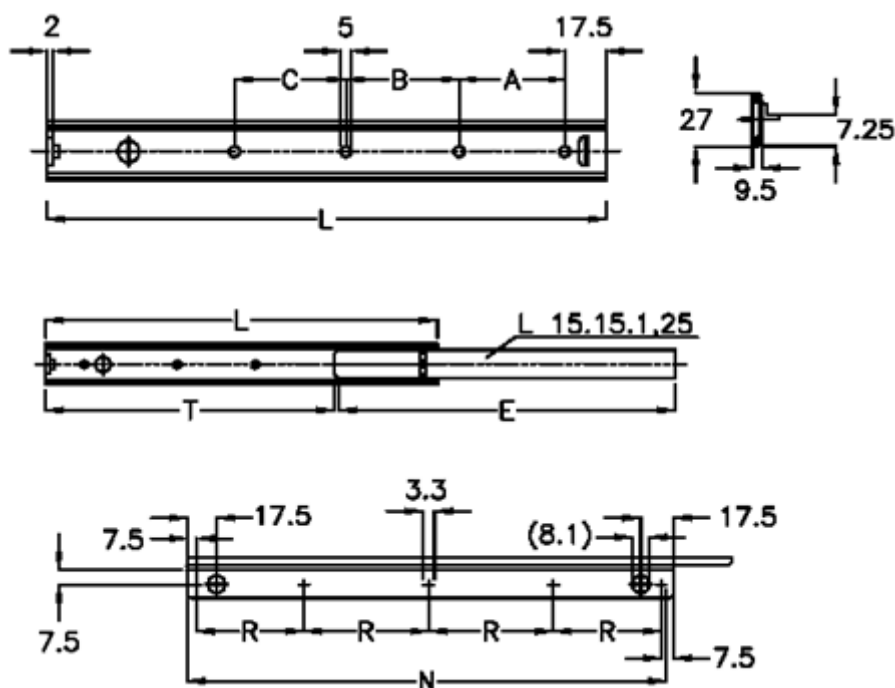


Article number: 11109050

Description: Thomas Regout Telescopic slide 11109050 EMS2, 2joints  
Length 350 mm / load cap. 26 kgs / extension 240 mm

## Measures



A	= 96	T = 240
B	= 96	
C	= 128	
E	= 323	
L	= 350	
Load capacity side mounted	= 23	
N	= 325	
R	= 103.3	